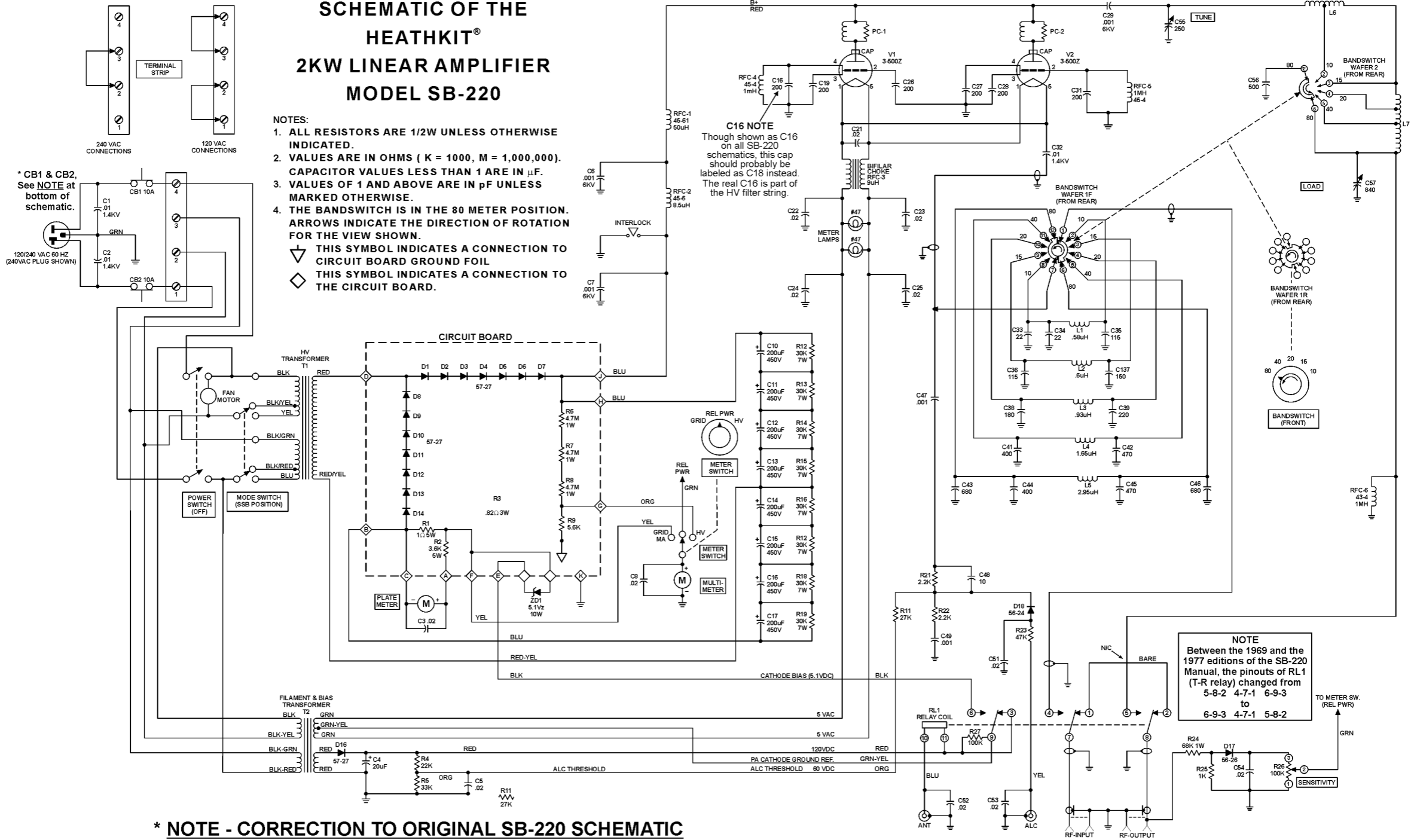


**(CORRECTED)**  
**SCHEMATIC OF THE**  
**HEATHKIT®**  
**2KW LINEAR AMPLIFIER**  
**MODEL SB-220**

- NOTES:**
1. ALL RESISTORS ARE 1/2W UNLESS OTHERWISE INDICATED.
  2. VALUES ARE IN OHMS ( K = 1000, M = 1,000,000).
  3. VALUES OF 1 AND ABOVE ARE IN  $\mu$ F UNLESS MARKED OTHERWISE.
  4. THE BANDSWITCH IS IN THE 80 METER POSITION. ARROWS INDICATE THE DIRECTION OF ROTATION FOR THE VIEW SHOWN.
- ▽ THIS SYMBOL INDICATES A CONNECTION TO CIRCUIT BOARD GROUND FOIL  
 ◇ THIS SYMBOL INDICATES A CONNECTION TO THE CIRCUIT BOARD.



**C16 NOTE**  
 Though shown as C16 on all SB-220 schematics, this cap should probably be labeled as C18 instead. The real C16 is part of the HV filter string.

**NOTE**  
 Between the 1969 and the 1977 editions of the SB-220 Manual, the pinouts of RL1 (T-R relay) changed from 5-8-2 4-7-1 6-9-3 to 6-9-3 4-7-1 5-8-2

**\* NOTE - CORRECTION TO ORIGINAL SB-220 SCHEMATIC**

10A circuit breakers, CB1 and CB2, were mis-placed in the original Heathkit schematic. They were shown as installed AFTER the voltage selection block which, if 120VAC wiring was selected, allowed the AC to continue to appear on the transformer winding even though the circuit breaker had opened. The circuit breakers MUST be installed BEFORE the voltage selection block, so they are able to break either of the AC input leads, regardless of whether 120VAC or 240VAC wiring is selected. The actual WIRING instructions in the SB-220 manual (see SB-220 manual pictorial 4-13, and inset, on foldout between pages 49 & 50) instruct you to wire the circuit breakers appropriately. Only the schematic was in error.

Corrected SB-220 Schematic, redrawn by: Tom Hammond NØSS rev. 1.5 26FEB2011  
 Please report errors to <n0ss@arrl.net> so corrections can be made.  
 In the e-mail address, above, the '0' is a ZERO, not an 'oh'.